

EXTERNAL FRAME DIMENSIONS MAY DIFFER, BUT IT IS CRITICAL THAT HOLE SIZE, PITCH, AND THEIR RELATIONSHIPS TO THE INTERNAL DIMENSION REMAIN EQUAL

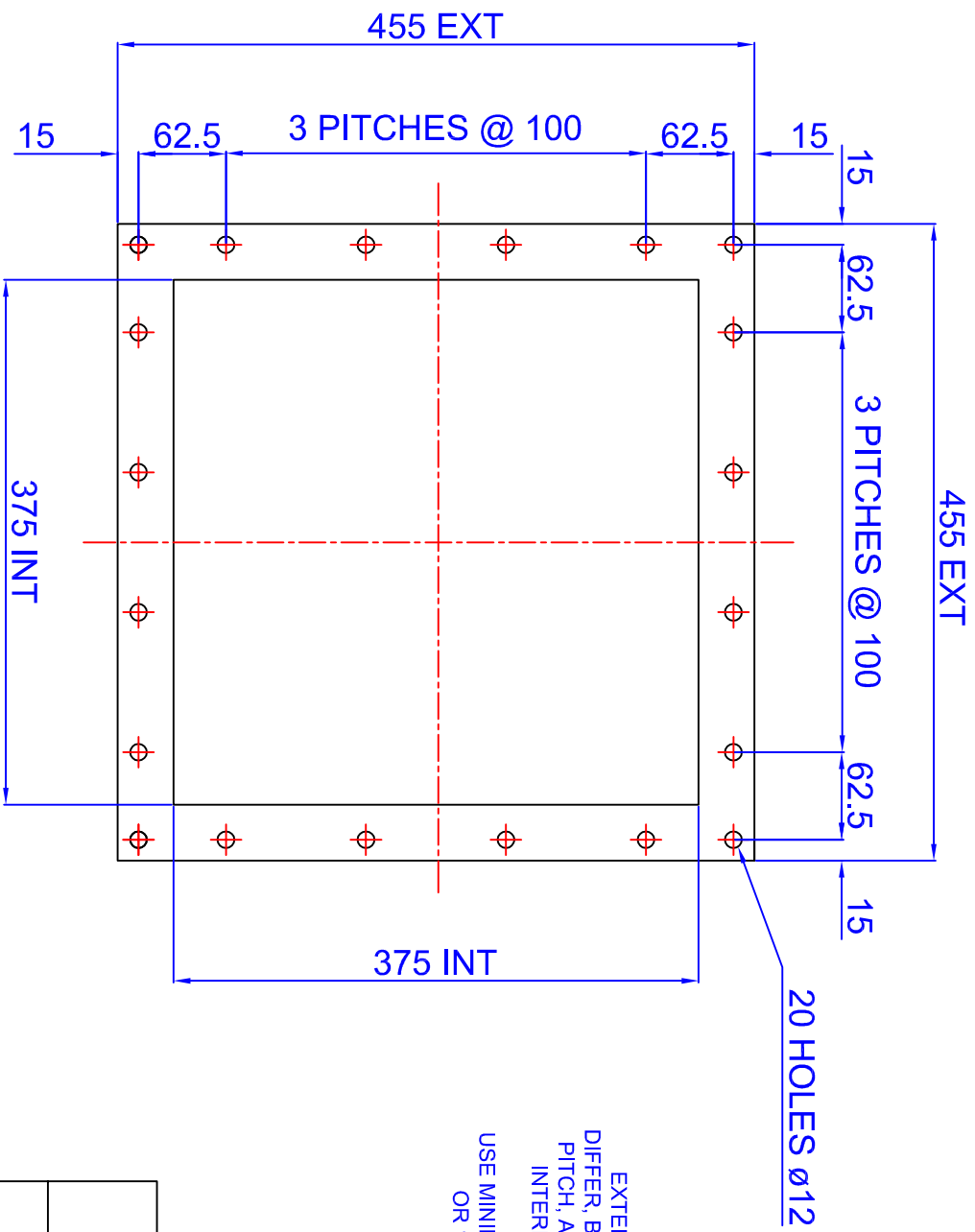
USE MINIMUM THICKNESS 5mm ANGLE IRON OR 10mm FLAT BAR FOR FRAMES

455 x 300 Ext 375 x 220 Int Flat  
Vent Gard - Frame Details



Website: [www.ecodisc.com](http://www.ecodisc.com)  
Email: [support@ecodisc.com](mailto:support@ecodisc.com)

ECOPNL009



EXTERNAL FRAME DIMENSIONS MAY DIFFER, BUT IT IS CRITICAL THAT HOLE SIZE, PITCH, AND THEIR RELATIONSHIPS TO THE INTERNAL DIMENSION REMAIN EQUAL

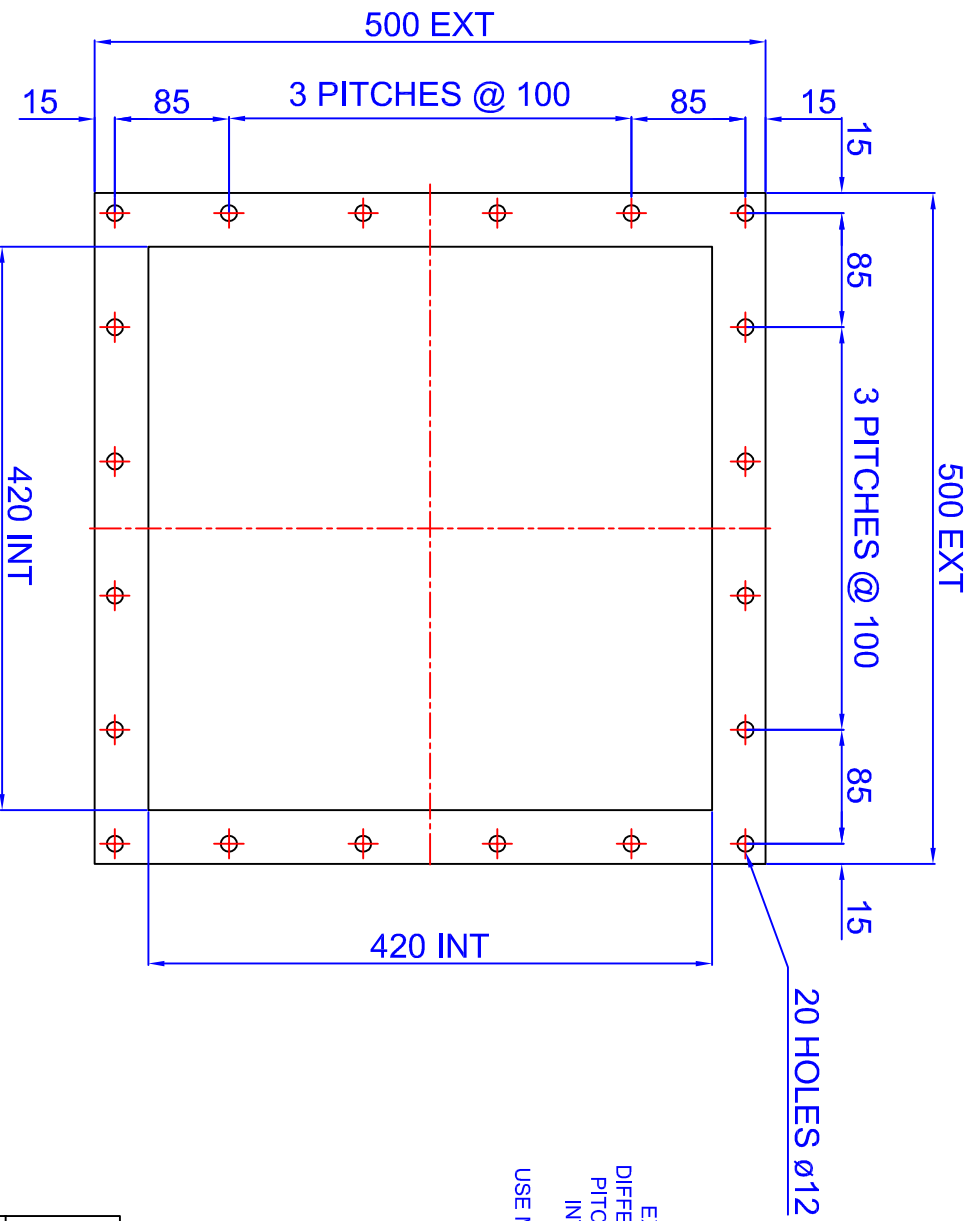
USE MINIMUM THICKNESS 5mm ANGLE IRON OR 10mm FLAT BAR FOR FRAMES

455 x 455 Ext 375 x 375 Int Flat  
Vent Gard - Frame Details



Website: [www.ecodisc.com](http://www.ecodisc.com)  
Email: [support@ecodisc.com](mailto:support@ecodisc.com)

ECOPNL014



EXTERNAL FRAME DIMENSIONS MAY DIFFER, BUT IT IS CRITICAL THAT HOLE SIZE, PITCH, AND THEIR RELATIONSHIPS TO THE INTERNAL DIMENSION REMAIN EQUAL

USE MINIMUM THICKNESS 5mm ANGLE IRON OR 10mm FLAT BAR FOR FRAMES

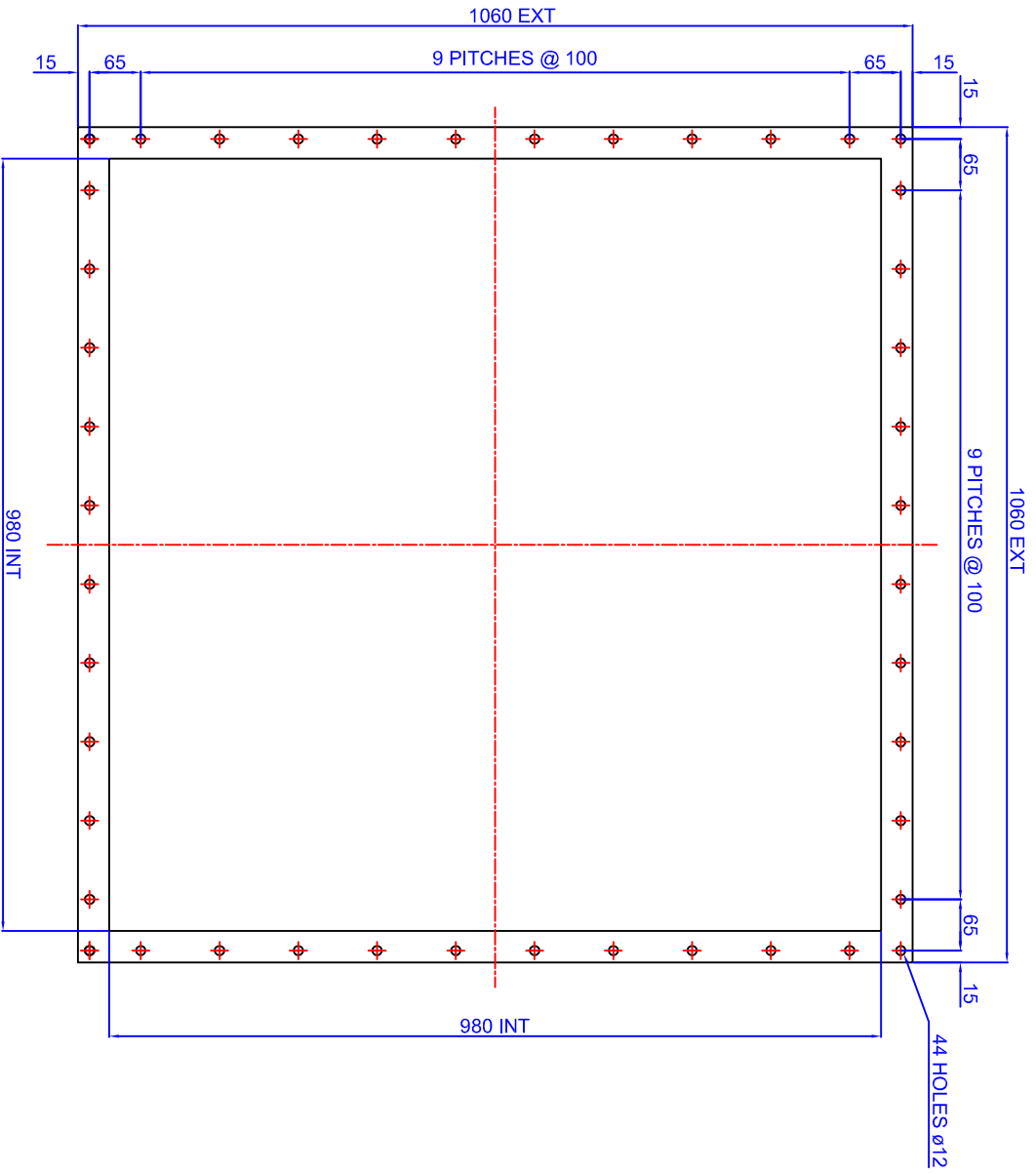
500 x 500 Ext 420 x 420 Int Flat  
Vent Gard - Frame Details



**ECODISC**

Website: [www.ecodisc.com](http://www.ecodisc.com)  
Email: [support@ecodisc.com](mailto:support@ecodisc.com)

ECOPNL017



EXTERNAL FRAME DIMENSIONS MAY DIFFER, BUT IT IS CRITICAL THAT HOLE SIZE, PITCH, AND THEIR RELATIONSHIPS TO THE INTERNAL DIMENSION REMAIN EQUAL  
 USE MINIMUM THICKNESS 5mm ANGLE IRON OR 10mm FLAT BAR FOR FRAMES

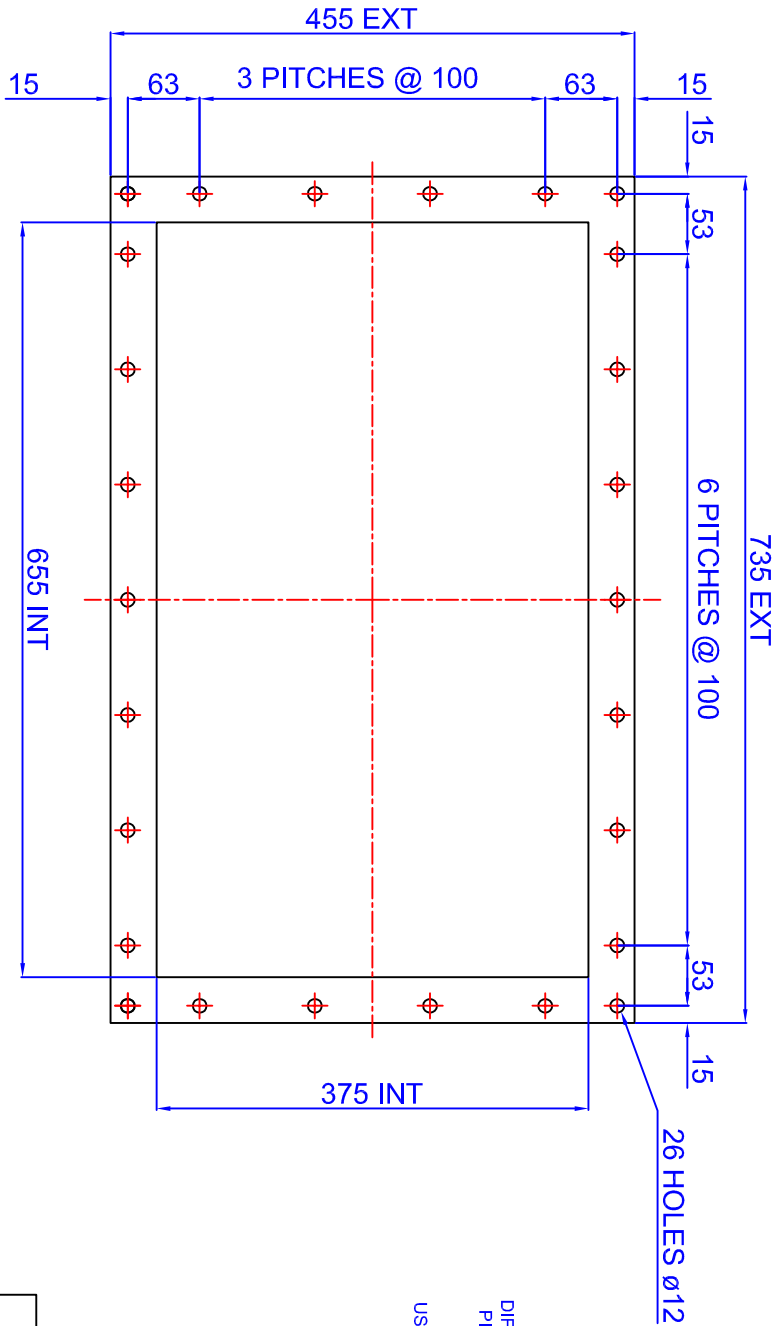
1060 x 1060 Ext 980 x 980 Int Flat  
 Vent Gard - Frame Details



**ECODISC**

Website: [www.ecodisc.com](http://www.ecodisc.com)  
 Email: [support@ecodisc.com](mailto:support@ecodisc.com)

ECOPNL098



EXTERNAL FRAME DIMENSIONS MAY DIFFER, BUT IT IS CRITICAL THAT HOLE SIZE, PITCH, AND THEIR RELATIONSHIPS TO THE INTERNAL DIMENSION REMAIN EQUAL

USE MINIMUM THICKNESS 5mm ANGLE IRON OR 10mm FLAT BAR FOR FRAMES

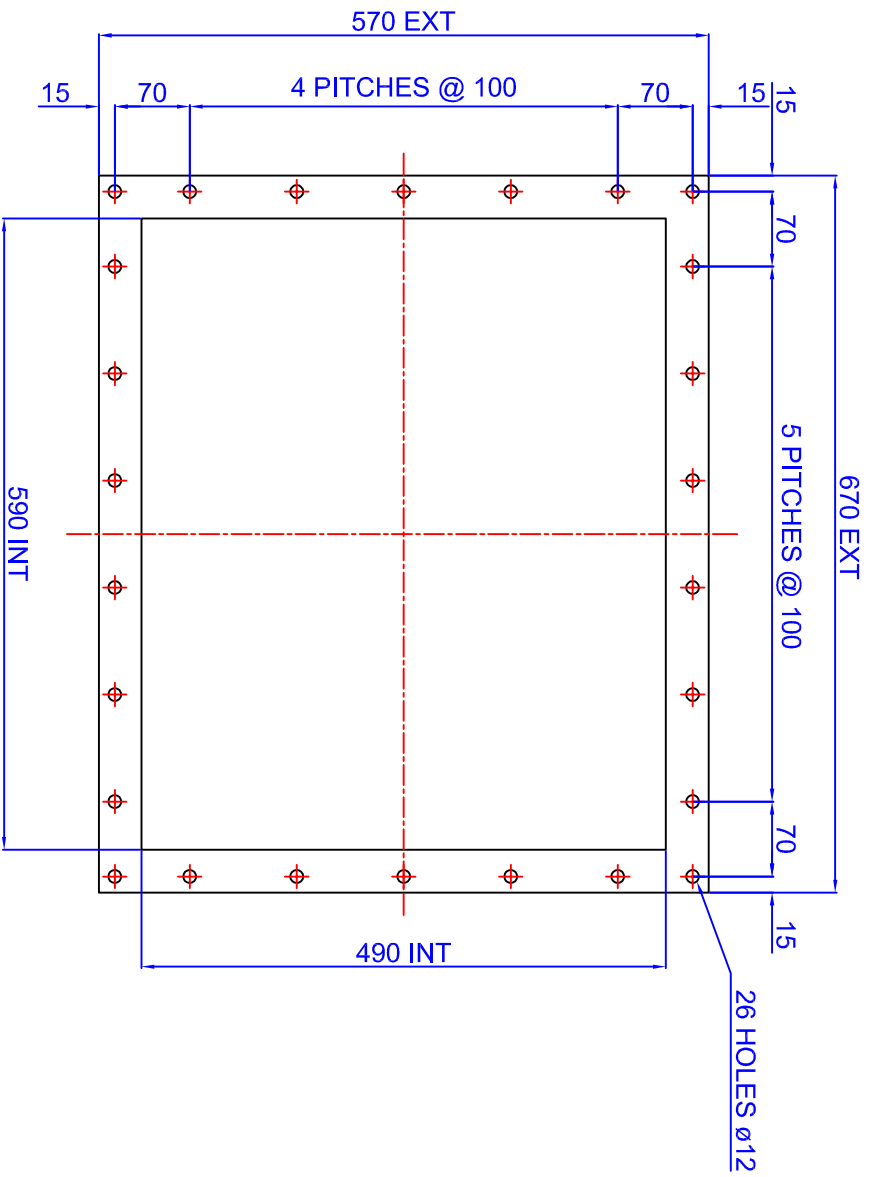
455 x 735 Ext 375 x 655 Int Flat  
Vent Gard - Frame Details



**ECODISC**

Website: [www.ecodisc.com](http://www.ecodisc.com)  
Email: [support@ecodisc.com](mailto:support@ecodisc.com)

ECOPNL024



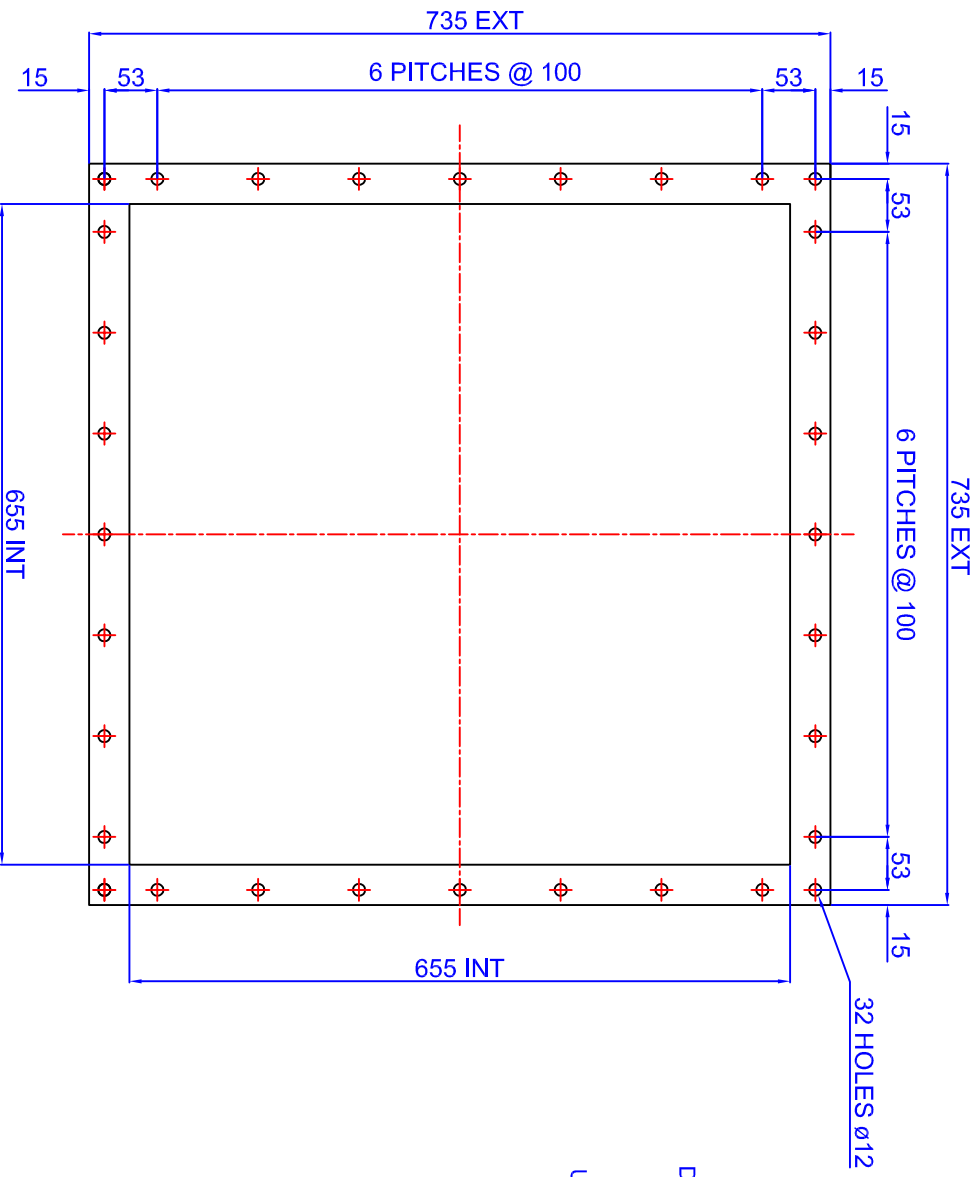
EXTERNAL FRAME DIMENSIONS MAY DIFFER, BUT IT IS CRITICAL THAT HOLE SIZE, PITCH, AND THEIR RELATIONSHIPS TO THE INTERNAL DIMENSION REMAIN EQUAL.  
 USE MINIMUM THICKNESS 5mm ANGLE IRON OR 10mm FLAT BAR FOR FRAMES

570 x 670 Ext 490 x 590 Int Flat  
 Vent Gard - Frame Details



Website: [www.ecodisc.com](http://www.ecodisc.com)  
 Email: [support@ecodisc.com](mailto:support@ecodisc.com)


ECOPNL028

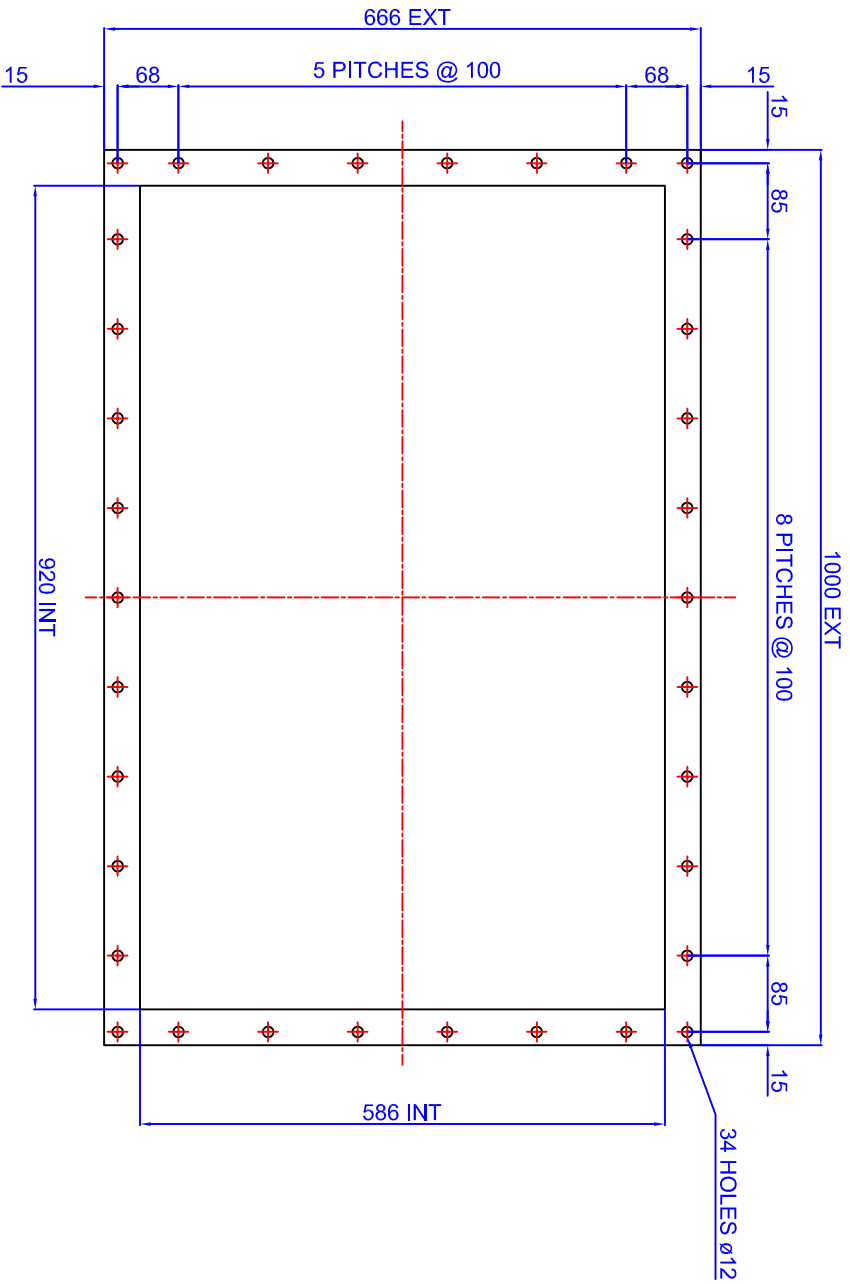


EXTERNAL FRAME DIMENSIONS MAY DIFFER, BUT IT IS CRITICAL THAT HOLE SIZE, PITCH, AND THEIR RELATIONSHIPS TO THE INTERNAL DIMENSION REMAIN EQUAL

USE MINIMUM THICKNESS 5mm ANGLE IRON OR 10mm FLAT BAR FOR FRAMES

735 x 735 Ext 655 x 655 Int Flat  
Vent Gard - Frame Details

 <p>Website: <a href="http://www.ecodisc.com">www.ecodisc.com</a> Email: <a href="mailto:support@ecodisc.com">support@ecodisc.com</a></p>	<p>ECOPNL042</p>
--	------------------



EXTERNAL FRAME DIMENSIONS MAY DIFFER, BUT IT IS CRITICAL THAT HOLE SIZE, PITCH, AND THEIR RELATIONSHIPS TO THE INTERNAL DIMENSION REMAIN EQUAL

USE MINIMUM THICKNESS 5mm ANGLE IRON OR 10mm FLAT BAR FOR FRAMES

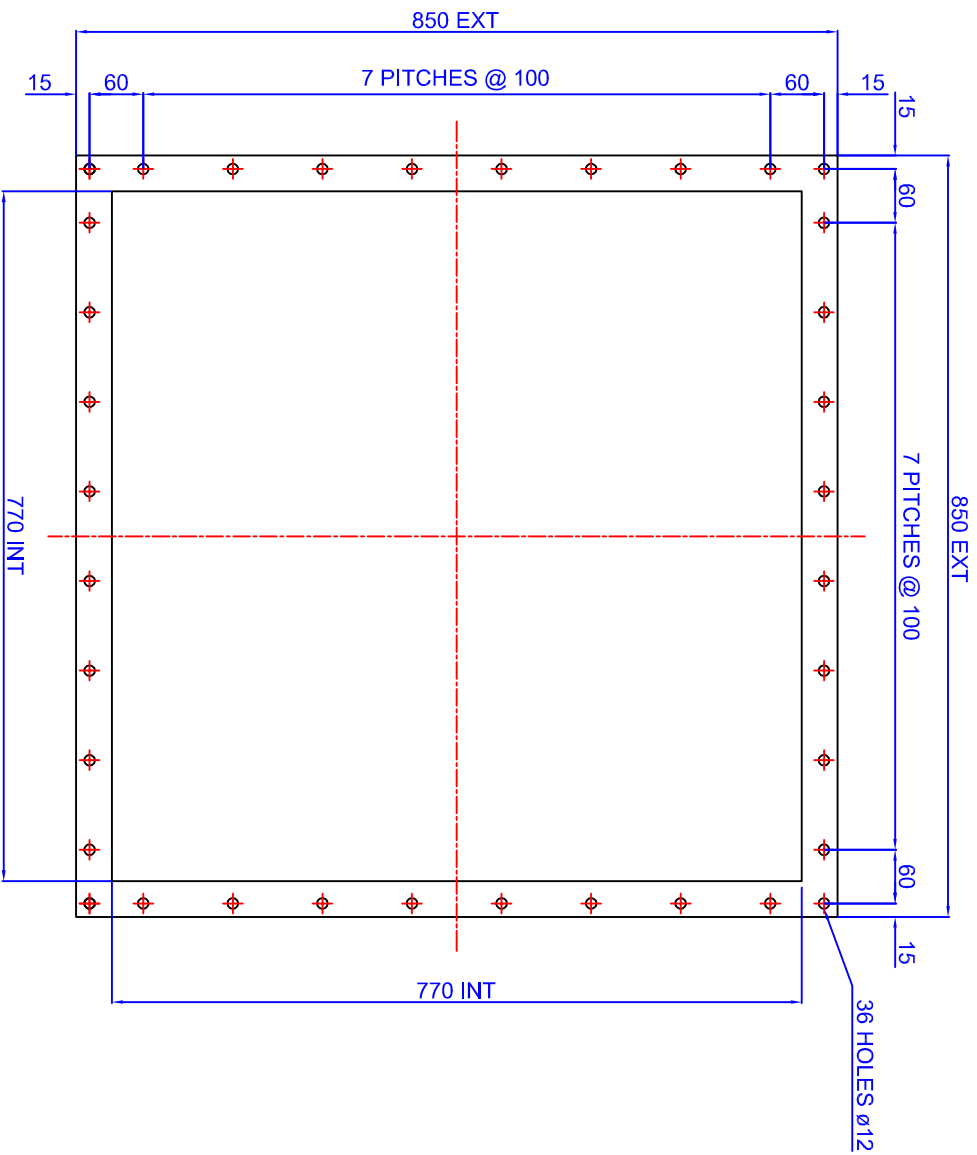
666 x 1000 Ext 586 x 920 Int Flat  
Vent Gard - Frame Details



**ECODISC**

Website: [www.ecodisc.com](http://www.ecodisc.com)  
Email: [support@ecodisc.com](mailto:support@ecodisc.com)

ECOPNL050



EXTERNAL FRAME DIMENSIONS MAY DIFFER, BUT IT IS CRITICAL THAT HOLE SIZE, PITCH, AND THEIR RELATIONSHIPS TO THE INTERNAL DIMENSION REMAIN EQUAL

USE MINIMUM THICKNESS 5mm ANGLE IRON OR 10mm FLAT BAR FOR FRAMES

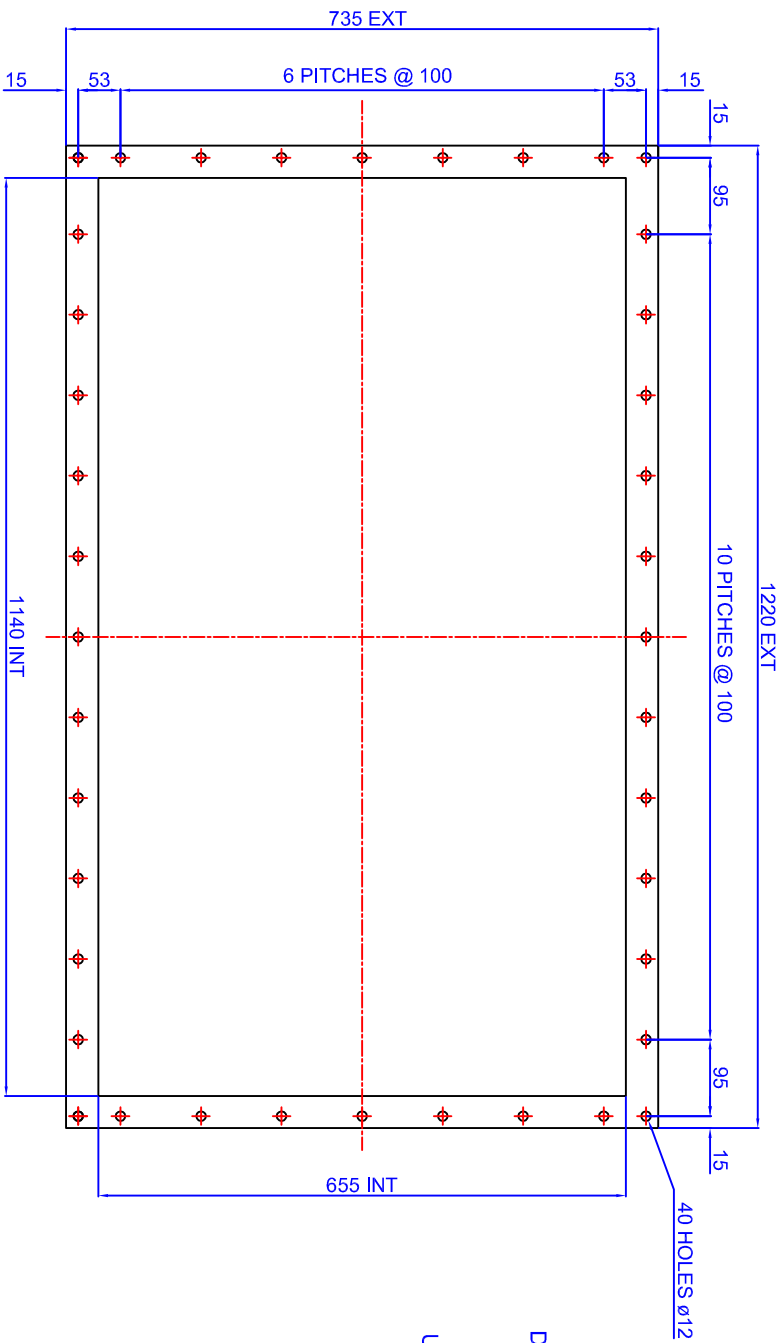
850 x 850 Ext 770 x 770 Int Flat  
Vent Gard - Frame Details



**ECODISC**

Website: [www.ecodisc.com](http://www.ecodisc.com)  
Email: [support@ecodisc.com](mailto:support@ecodisc.com)

ECOPNL058



EXTERNAL FRAME DIMENSIONS MAY DIFFER, BUT IT IS CRITICAL THAT HOLE SIZE, PITCH, AND THEIR RELATIONSHIPS TO THE INTERNAL DIMENSION REMAIN EQUAL

USE MINIMUM THICKNESS 5mm ANGLE IRON OR 10mm FLAT BAR FOR FRAMES

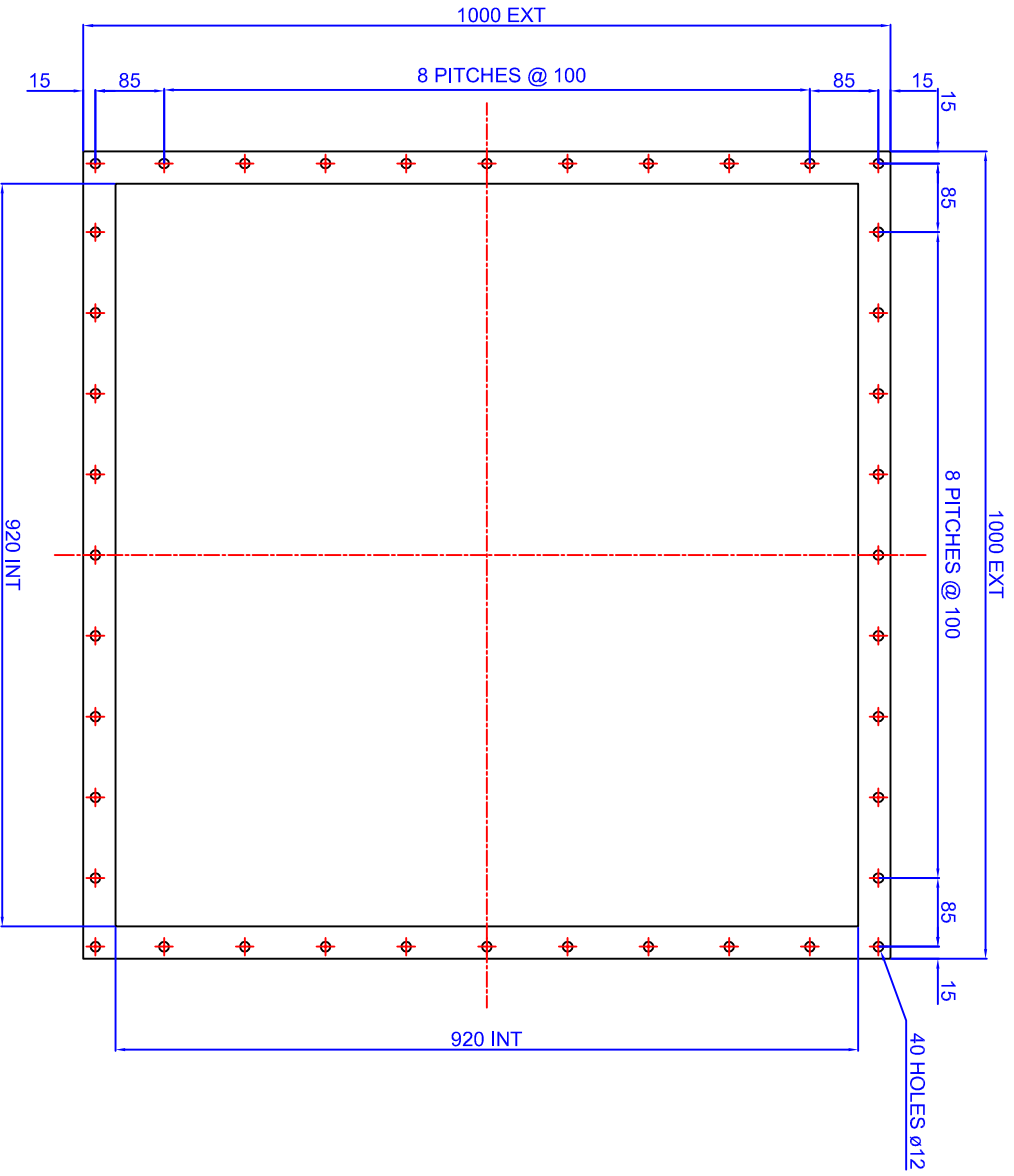
735 x 1220 Ext 655 x 1140 Int Flat  
Vent Gard - Frame Details



ECODISC

Website: [www.ecodisc.com](http://www.ecodisc.com)  
Email: [support@ecodisc.com](mailto:support@ecodisc.com)

ECOPNL071



EXTERNAL FRAME DIMENSIONS MAY DIFFER, BUT IT IS CRITICAL THAT HOLE SIZE, PITCH, AND THEIR RELATIONSHIPS TO THE INTERNAL DIMENSION REMAIN EQUAL

USE MINIMUM THICKNESS 5mm ANGLE IRON OR 10mm FLAT BAR FOR FRAMES

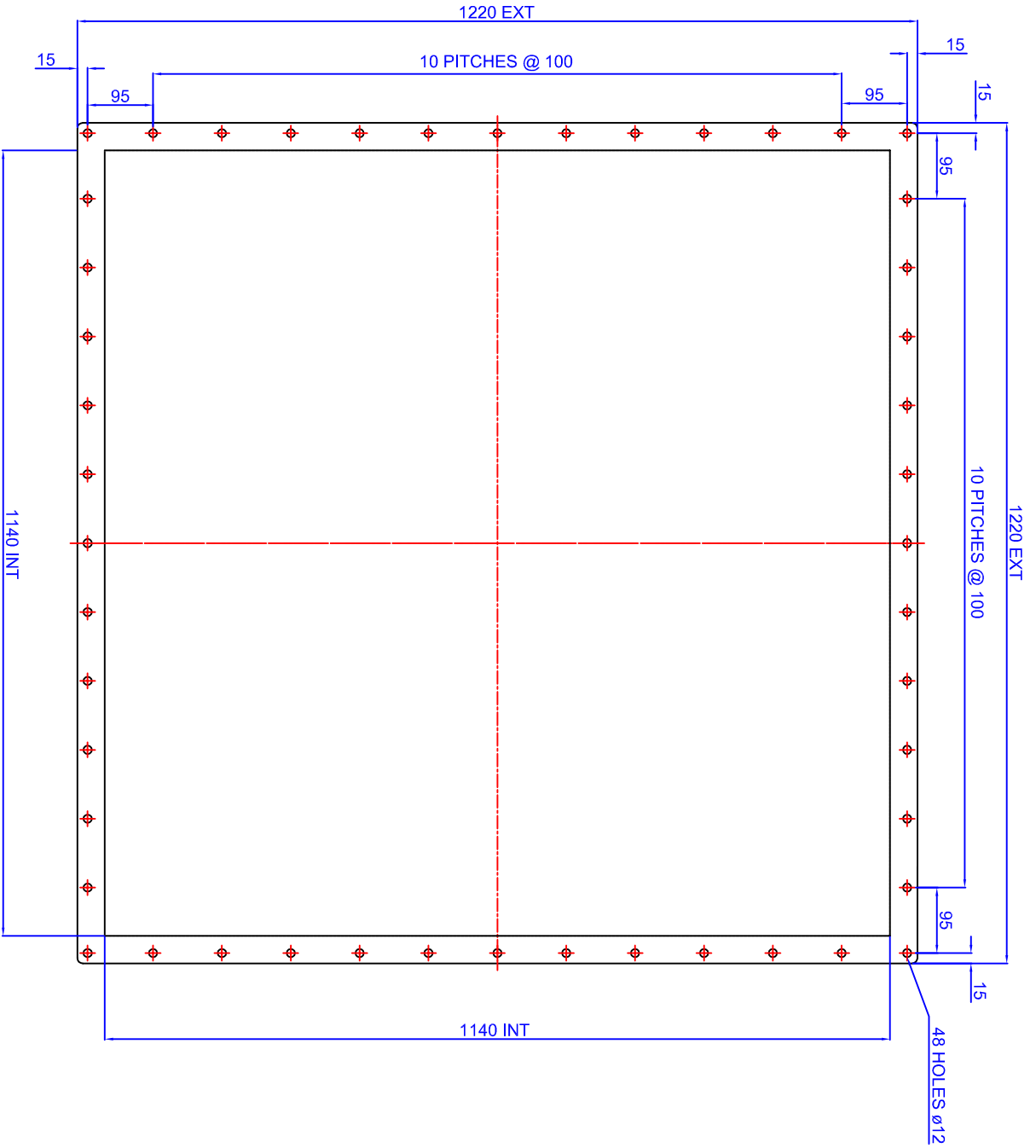
1000 x 1000 Ext 920 x 920 Int Flat  
Vent Gard - Frame Details



**ECODISC**

Website: [www.ecodisc.com](http://www.ecodisc.com)  
Email: [support@ecodisc.com](mailto:support@ecodisc.com)

ECOPNL083



EXTERNAL FRAME DIMENSIONS MAY DIFFER, BUT IT IS CRITICAL THAT HOLE SIZE, PITCH, AND THEIR RELATIONSHIPS TO THE INTERNAL DIMENSION REMAIN EQUAL

USE MINIMUM THICKNESS 5mm ANGLE IRON OR 10mm FLAT BAR FOR FRAMES

1220 x 1220 Ext 1140 x 1140 Int Flat  
Vent Gard - Frame Details



**ECODISC**

Website: [www.ecodisc.com](http://www.ecodisc.com)  
Email: [support@ecodisc.com](mailto:support@ecodisc.com)

ECOPNL127